

# HOTSPRING™ TANKLESS WATER HEATER 5KW

HSTK5



Scan to  
download



#### WHAT'S IN THE BOX?

---

- 1 X Electric water Heater
  - 2 X Rubber plug and screw
  - 1 X Preparation and installation manual
  - 2 X Rubber washers for connection pipe
  - 4 X Shower accessories
  - 1 X Warranty Card
- 

**! Please note**, this is not a do-it-yourself project. Failure to have  
• this appliance installed by a licensed plumber and electrician will void all warranties.

Under no circumstances should you attempt to install, repair or disassemble the electric instantaneous water heater without first shutting off all power to the unit directly from the circuit breaker box. Installation of this appliance is restricted to indoor locations only, by licensed plumbing or electrical contractors.

APPLIANCE FEATURES	1
TECHNICAL INFORMATION	4
OPERATIONAL INSTRUCTIONS	5
SAFETY INSTRUCTIONS	6
BEFORE YOU INSTALL	7
HOW TO INSTALL	8
WATER CONNECTIONS	9
ELECTRICAL DIAGRAM	10
CONNECTING CABLES AND POWER CHORDS	11
INSIDE-VIEW OF APPLIANCE	12
TROUBLESHOOTING	13
WARRANTY + CERTIFICATIONS	15

# HERE'S A LITTLE INFO ABOUT THE APPLIANCE

The way it functions. What it does. And a lot more.

---

## APPEARANCE



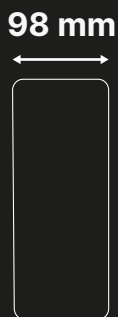
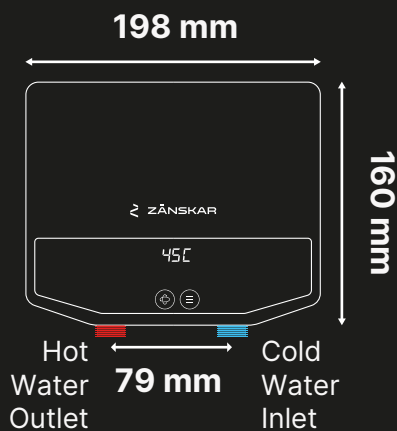
---

## CHARACTERISTICS

This electric water heater differs from a conventional storage type mini water heaters. It doesn't store hot water. Instead, water is heated instantaneously as it flows through the appliance. Powerful heating elements are activated by a flow switch as water is drawn from a hot water faucet connected to the appliance. Due to the absence of stand-by loss, this appliance has greater energy efficiency than storage-type water heaters. The appliance is incorporated with multi-safety devices and will continuously supply hot water as long as the faucet is open and minimum flow rate is met.

---

## DIMENSIONS



## FEATURES

- This appliance provides Instantaneous heating for on-demand hot water, no pre-heating, no stand-by heating loss, along with efficient energy saving mechanisms.
- High strength ABS splash proof casing, with stainless steel heating element.
- Compact appearance and unlimited supply of hot water.
- Easy installation, heater can be installed above or under sink.
- Easy operation, the heater provides hot water with constant temperature.
- Micro-computer control, adopting patented heating technology. Water is completely separated from electricity by multi-layers of composite nano insulation material.
- When the outlet water temp. reaches or crosses 65°C, the appliance will enter standby-mode. It will start to work automatically when the temperature drops to optimum levels.
- There is a built-in pressure relief valve at the water outlet to prevent explosion.

## TECHNICAL SPECIFICATIONS





Rated Output	5 kw
Circuit breaker	20 A
Wire	3 x 2.5 - 4 sqmm
IP Rating	IP25
Max Pressure	6 bar
Inlet Size	G1/2"
Weight	1.96 kg
Dimension h x w x d	198×160×98 mm
Colour	White

---

# BEFORE YOU OPERATE THE APPLIANCE

To follow while installing or operating the appliance, in order to avoid unforeseen hazard or damage to the product, which in turn may harm the person operating it.

---

- Turn on the circuit breaker to bring electrical power to the appliance. The LED digital display screen will switch on.
- After the appliance is supplied with power, please turn on the water. The min water flow to activate the appliance is 1.5L/min.
- Turn on the water faucet for a few minutes until water flow is continuous and all air is drained out from the water pipes. The appliance must be operated only after the breaker is turned on.
- Turn off the water flow, and the appliance will stop working. It is not necessary to turn off the heater by pressing any key on the front panel.
- Press  to adjust the setting temperature between 30°C-55°C. Temperature setting will cycle among 30°C-55°C, single press the key, the setting temperature will be up 1°C, only in the working condition, the press key is available to adjust the temperature. The default setting temperature is 55°C.
- Press  continuously for 3 seconds, the setting temperature will be circularly setup among 38°C-42°C
-  is the function key. If you need to install the appliance upside down, press and hold  for 3 seconds. The temperature display in Arabic numerals will rotate 180°.
- There is an overheat protection function for the appliance. When the outlet temperature reaches 65°C, the appliance will decrease the power level automatically. Only after the hot water temperature drops to 53°C, it will resume to work again. In this state, you should reduce the setting temperature.
- There is a real-time leakage detection function. If there is a leakage, the appliance will stop working automatically.
- Always check the temperature of the hot water first, before using.
- If the appliance will not be used during the winter, drain out the water completely so that the heater does not freeze.
- Please clean the inlet strainer and the shower periodically to allow free and unhindered water flow.



# HERE ARE SOME SAFETY PRECAUTIONS

Read the following points to better understand how the appliance works, along with its installation and maintenance procedures.

---

- The installation must be in compliance with the National Electrical Code, and your local electrical and plumbing codes.
- This appliance must be EARTHED. (If the model is equipped with plug, it is an electric leakage protection plug ).
- Install the appliance only in accordance with the provided installation instructions.
- Use this appliance only for its intended use as described in this manual.
- Contact a qualified electrician OR Zanskar approves service engineer to have the appliance properly installed for the models which are not equipped with a plug.
- This appliance is not intended for use by persons (include children) with reduced physical sensory or mental capabilities, or lack of experience and knowledge, unless they have been given supervision or instruction concerning use of the appliance by a person responsible for their safety. Children should be supervised to ensure that they do not play with the appliance.
- This appliance MUST be permanently connected to the fixed circuit breaker and its recommended to be installed vertically (excluding the models which are equipped with plug). DO NOT install this appliance near to tinder or a strong magnetic field location.
- This appliance is forbidden to be switched on if you think it may be frozen, as this could result in serious damage to the appliance. Wait until you are sure that it has completely thawed out before you switch it on.
- Please feel the outlet hot water temperature with hand before using it to avoid scalding.
- Before connecting pipes to the water heater hoses, it is extremely important to FLUSH the pipes to wash away all plumbing paste or residue in the pipes.
- If there is damage to the wire, you must contact qualified electrician to replace it with a new wire.
- Check valve is required to be installed at the water inlet.
- The water relief valve should work periodically in order to remove calcium carbonate deposits.
- The drain-pipe which is connected to the water relief valve should be installed continuous downward in frostless environment.
- The spray head must be descaled regularly.

**WARNING: Do not switch on the appliance if there is a possibility of the water in the heater is in a frozen state.**

---

# BEFORE YOU INSTALL THE APPLIANCE

Make sure you've read the below pointers carefully.

---

**The installation must be completed in compliance with the National Electrical Code, and your local electrical and plumbing codes.**

- Make sure the appliance is intact, and the fittings are complete.
- Please make sure the main power supply, water pressure, earthing and wire are compliant with local standards
- The appliance must be earthed according to local standards
- Review voltage to ensure significant voltage fluctuations do not exist.
- Review the TDS level of water to ensure it does not exceed 100, otherwise a scale prevention system is recommended.
- DO NOT install this appliance near to tinder or a strong magnetic field location.
- The appliance can be installed above or under the sink, and the appliance must only be mounted in a VERTICAL position near the water fittings.

# WHEN INSTALLING THE APPLIANCE

Make sure the following criteria are adhered to.

---

## For fixed installation on the wall

- Locate an appropriate place on a section of wall as above mentioned.

### Upward Installation



### Upside down Installation

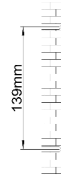


- The distance between every two holes is 146mm for upward installation and for upside-down installation 139mm. Put plastic anchor in the holes.

### Upward Installation

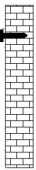


### Upside down Installation



- Fix the appliance on the wall as illustrated below

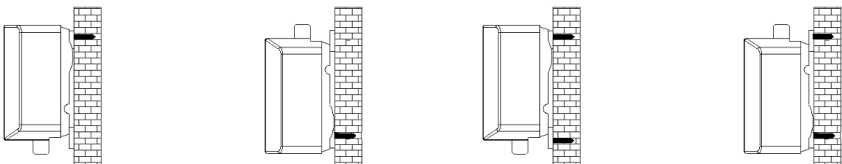
### Upward Installation



### Upside down Installation



- Fix the appliance on the wall with fixed nail. Then fix the appliance with nail in another hole, to make sure the whole appliance is installed on firm.



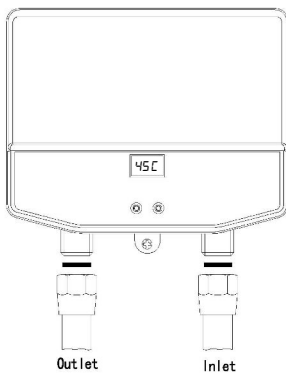
# WHEN HANDLING THE WATER CONNECTIONS

Read the following points to make the process safe and worry-free

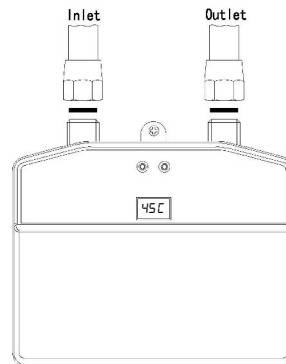
---

- All water pipes must comply with applicable national, state and local water pipe codes.
- No matter how you install the appliance, upright or the other way around, please connect the inlet connection (blue arrow points to) to the cold water inlet pipe. Then connect the outlet connection (red arrow points to) to the hot water outlet pipe.
- The appliance should be connected directly to the main water supply. Flush the pipe with water to remove any debris or loose particles.
- It is suggested that you use G1/2" water connections to fit the appliance. Please connect the inlet and outlet pipe accordingly.
- Please remember to install rubber seal rings at the connections. When all water connections are completed, check for leaks and take corrective action before proceeding further.

## Upward Installation

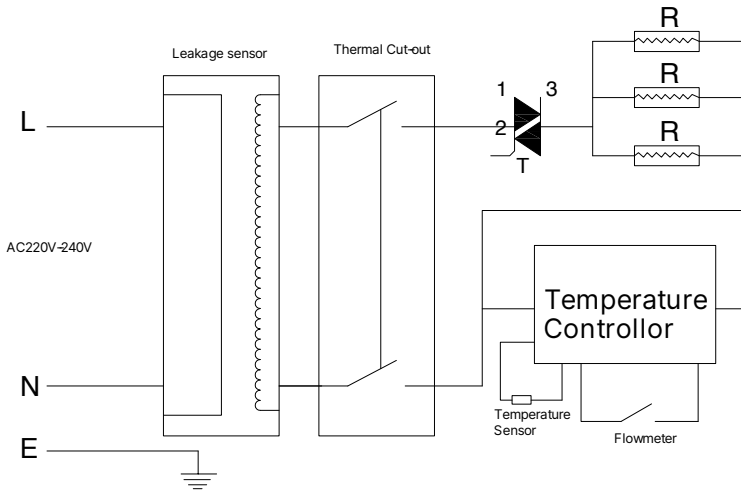


## Upside down Installation



# HERE'S AN ELECTRICAL DIAGRAM OF THE APPLIANCE

Model HSTK5



Remark: R:Resistance T: Triac

# CONNECTING CABLES AND POWER CHORDS

Read the following points to make the process safe and worry-free

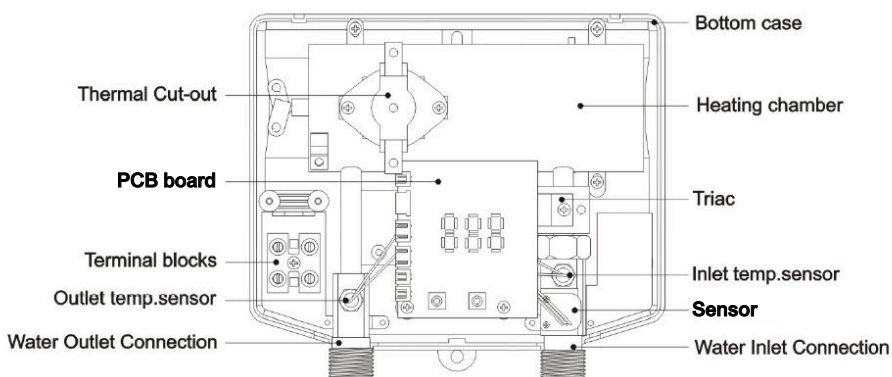
---

- All electrical work must comply with applicable national, state and local electrical codes
- The appliance must be earthed properly with stable voltage rating
- While feeding the cable to terminal blocks and the circuit breaker, please make sure that the metal wire ends and the terminal blocks touch completely. Then tighten the screws to make sure that the full current supply can pass through.
- Before beginning any work on the electric installation, be sure that the main breaker panel switch is OFF to avoid any danger of electric shock.
- All mounting and plumbing must be completed before proceeding with electrical hook-up.
- Items needed for Installation:  
3 x Pin Top Plug 16 Amps.

# HOW THE APPLIANCE LOOKS FROM THE INSIDE

Model HSTK5

---



# TROUBLESHOOTING AND MAINTENANCE

Here are some instructions to make it a hassle free process.

---

**NOTE** Do not attempt to repair this appliance yourself, call a service person for assistance. Before these operations, the power supply needs to be shut off. It does not require regular maintenance. However, to ensure consistent water flow, it is recommended to follow the below mentioned maintenance practices.

- Periodically remove scale and dirt that may build up at the aerator of the faucet or in the shower head.
- There is a built in filter screen at inlet connection which should be cleaned from time to time. Please turn off the water flow before doing this.



## TROUBLESHOOTING

<b>Problems</b>	<b>Possible Causes</b>	<b>Corrective Actions</b>
1. Inlet and outlet fittings leaking	A. Fittings not tight B. Rubber washer worn-out	A. Tighten fittings. B. Change rubber washer.
2. LED no signal	A. Power not connected. B. LED damaged.	A. Connect power to the unit. B. Change LED.
3. Functional keys not working	A. No water out from shower. B. Water pressure too low. C. Key or PCB damaged.	A. Open valve to get water. B. Open valve to get pressure. C. Change key or PCB.
4. Water too hot	A. Too high temperature set. B. Water flow too small.	A. Set a lower temperature. B. Increase inlet water flow.
5. Water too cold	A. Low temperature set. B. Water flow is too much.	A. Set a higher temperature. B. Reduce water flow.
6. Outlet flow dropping	Inlet strainer or shower clogged.	Clean strainer and shower.

# WARRANTY ON ZANSKAR APPLIANCES

---

ZANSKAR appliances are designed, produced and shipped free from defects and will function reliably when installed properly, used correctly and treated in accordance with installation and operating instructions as mentioned in this manual.

The warranty period for ZANSKAR appliances for territory of India will be as indicated in the operating manual and/or advertised in the website/catalogs:

---

## **Comprehensive Warranty 2 years**

---

Zanskar's authorised service centre/agent will at their option repair or replace those appliances which within the warranty period stated above subject to the following terms and conditions:

- Liability under the warranty will only be covered if the installation of the Zanskar's Appliances has been carried out by an authorised representative of the Zanskar or an authorised / approve
- Liability under warranty does not cover damage due to calcification and foreign matter intervention. Warranty not valid if TDS is above 100ppm
- Inspection report of the Zanskar's authorised technician will be treated as final and binding under the warranty for determining the defects, repairs/alterations required or carried out or certifying working of the goods thereafter
- The customer will have no claim under this warranty in respect of personal injury, damage or property or consequential damages, or for utilisation of the goods not in accordance with the operating manual
- Under this limited warranty for service and repair Zanskar will provide only a replacement of appliance or part thereof. The owner is responsible for all other costs. Such costs may include but are not limited to, labor charges for service, removal, repair or reinstallation, shipping, delivery, handling of the appliance & road permits etc.
- Warranty is only valid on producing a valid invoice showing purchase of the product from an authorised reseller or a copy of the warranty card duly filled in and signed/stamped by Zanskar's representative.

For detailed terms & conditions to claim this warranty refer warranty card or our website [www.zanskar.in](http://www.zanskar.in)

---

# CERTIFICATIONS

---

THIS APPLIANCE IS ASSGNEED WITH  
INTERNATIONAL CERTIFICATIONS.



International  
Electrotechnical  
Commission